



FEATURES & BENEFITS

- High Energy Efficiency.
- High Brightness.
- Low Power Consumption.
- Long lifespan.
- Easy Installation and Maintenance.
- Environmentally Friendly.

APPLICATIONS



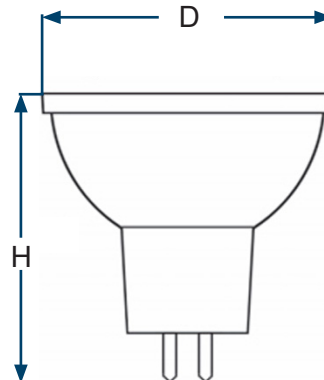
LMR-BL-GU5.3-6W

SPECIFICATIONS

ITEM NO.	Rated Power	Input Voltage	Frequency	Power Factor	Luminous Flux	Luminous Efficacy	CCT	CRI	Beam Angle	CAP	DIM	Lifespan
1050006	6W	165-265V	50/60 Hz	>0.5	540 lm	90 lm/W	6500K	>80	36°	GU5.3	NO	25000 h
1050005	6W	165-265V	50/60 Hz	>0.5	540 lm	90 lm/W	3000K	>80	36°	GU5.3	NO	25000 h
1050010	6W	DC 12V	50/60 Hz	>0.5	540 lm	90 lm/W	3000K	>80	36°	GU5.3	NO	25000 h
1050011	6W	165-265V	50/60 Hz	>0.5	540 lm	90 lm/W	3000K	>80	36°	GU5.3	YES	25000 h

DIMENSIONS

ITEM NO.	Rated Power	Hight	Diameter
1050006	6W	46mm	50mm
1050005	6W	46mm	50mm
1050010	6W	46mm	50mm
1050011	6W	46mm	50mm



°C	Working Temperature	-10°C to 50°C
IP	IP Grade	IP20
Material	Material	PBT+ALU+PC

Made in China

