



### FEATURES & BENEFITS

- Charged by Solar or USB (Micro USB).
- Multiple installation methods.
- High-grade crystalline silicon solar panel in big size
- High photoelectric conversion efficiency.
- High performance lithium battery.
- Long lifespan.
- Environmentally friendly.

### APPLICATIONS



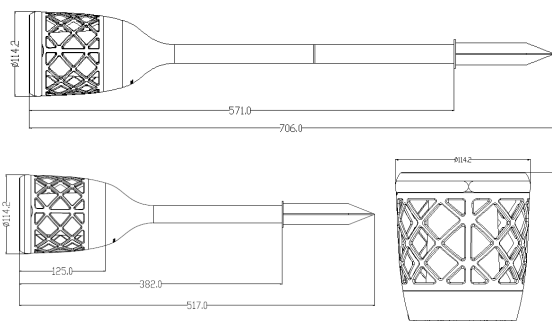
## LMR-SOLAR-GL002-2W

### SPECIFICATIONS

ITEM NO.	Rated Power	Battery	Solar Panel	Solar Charging Time	USB Charging Time	Working Time Mode(A)	Working Time Mode(B)	CCT	Beam Angle
37010002	2W	Li-ion, 1200mAh/3.7V	Mono-crystalline silicon(0.7Wp)	12Hrs/Day	10-12Hrs/Day	2 nights+	4 hours +	1500K	360°

	Working Temperature	-15°C - 45°C
	IP Grade	IP65
	Material	ABS+PC, anti-UV
	Housing Colour	BLACK
	Chip Size	SMD2835*18pcs

### DIMENSIONS



### WORKING MODES:

#### Mode A: (Power: 0.5W)

Press the button 1st time, it's Mode A. Automatically turns on at dusk(<30lux) and keep 25% brightness, and turns off at dawn(>150lux). This mode applies to outdoor lawn lamp or outdoor landscape lighting.

#### Mode B: (Power:2W)

Press the button 2nd time, it's Mode B. Automatically turns on at dusk(<30lux) and keep 100% brightness, and turns off at dawn(>400lux). This mode applies to portable light or indoor decorative light.

Press the button 3rd time, it's off.

Made in China

